

Solar Powered Camera

TVT-4GCAM

4MP Full Colour Network Camera with fixed 2.8mm lens



Arrowhead
Alarm Products



Features

- 4MP resolution & 24/7 Colorful imaging
- Stand-alone with solar panel and Li-battery
- Battery management, battery display, battery high-low temperature protection, charge/discharge protection, low battery sleep protection and PIR wakeup
- LTE-TDD/LTE-FDD/WCDMA/GSM 4G wireless network transmission
- Built-in micro SD card slot, up to 256GB
- Built-in 64G eMMC storage
- Supports three streams & Intelligent Analytics
- Camera: Water and dust resistant (IP67)



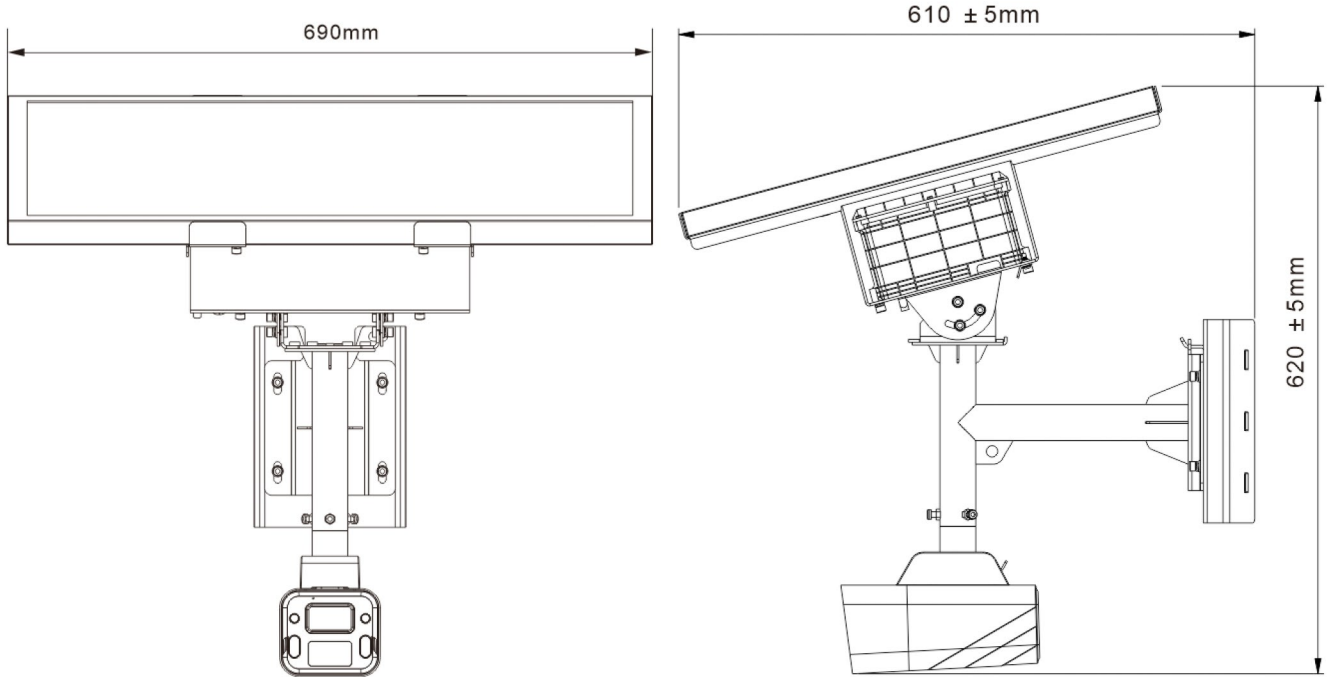
Model	
Camera	
Image Sensor	1/1.8" Progressive Scan CMOS
Max. Resolution	2560 × 1440
Min. Illumination	0.000625 lux@F1.0, AGC ON; 0 lux with LED ON
Shutter Speed	Auto
WDR	120dB
S/N Ratio	≥ 50dB
BLC	Yes
HLC	Yes
Digital NR	3D NR
Angle Adjustment	Pan: 0°~360°; Tilt:-60°~10°;
Lens	
Lens Type	Fixed focal lens, 2.8mm
Aperture	F1.0
FOV	2.8 mm @F1.0, H.FoV: 113°; V.FoV:60°; D.FoV:133°
Lens Mount	M16
DORI	
DORI	2.8mm, D: 50 m, O: 20 m, R: 10 m, I: 5 m
Illuminator	
Supplement Light Type	White Light
Supplement Light Range	Full power mode: up to 20 m; Low power mode: up to 10 m
Smart Supplement Light	Yes
Video & Audio	
Video Compression	Main stream: H.265+ / H.265/ H.264+ / H.264 Sub/Third stream: H.265+ / H.265/ H.264+ / H.264 MJPEG
H.264 Compression Standard	Baseline Profile/Main Profile/High Profile
Resolution	4MP (2560×1440), 3MP (2304×1296), 1080P (1920 × 1080), 720P (1280 × 720), D1, 640 × 480, CIF, 480 × 240
Main Stream	60Hz:4MP/3MP/1080P/720P(1~15fps); 50Hz:4MP/3MP/1080P/720P(1~12fps)
Sub Stream	60Hz:720P/D1/CIF (1~15fps); 50Hz:720P/D1/CIF (1~12fps)
Third Stream	60Hz:720P/640 × 480 (1 fps); 50Hz:720P/640 × 480 (1 fps)
Bit Rate	16Kbps ~ 8Mbps
Bit Rate Type	VBR/CBR
Audio Compression	G711A / U
Image Settings	ROI, Saturation, Brightness, Hue, Contrast, Wide Dynamic, Sharpness, Image Flip, Image Mirror, NR, etc. adjustable through client software or web browser
ROI	Each ROI to be configured separately
Mobile Communication	
SIM Card Type	Micro SIM
Frequency	LTE-TDD: Band 38/39/40/41; LTE-FDD: Band 1/2/3/4/5/7/8/12/13/18/19/20/25/26/28; WCDMA: Band 1/5/8; GSM: Band 2/3/5/8



Standard	LTE-TDD, LTE-FDD, WCDMA, GSM, 4G Cat4
PIR	
PIR Angle	Horizontal: 82°, vertical:50°
PIR Range	Up to 15 m
Interfaces	
Network	1 CH RJ45 10 M/100 M self-adaptive Ethernet port
Audio	1 CH built-in MIC, 1 CH built-in Speaker
Warning Light	1 blue LED light, 1 red LED light
RS-485	Yes, half-duplex
Storage	Built-in 64G eMMC storage (including system software); Built-in micro SD card slot, up to 256GB
Reset	Yes
Functions	
Remote Monitoring	Web Browser/TVT NVMS2.0/NVR/mobile APP
Web Browser	IE11(plugin-in required)/Chrome 89.0+/Edge 89.0+/Firefox 87.0+/Safari 14.0+
Online Connection	Support simultaneous monitoring for up to 3 users; Support multi-stream real time transmission
Network Protocol	UDP, IPv4, IPv6, DHCP, NTP, RTSP, RTP, RTCP, SNMP, PPPoE, DDNS, 802.1x, SMTP, FTP, UPnP, HTTPs, HTTP, QoS, P2P, HTTP POST
Interface Protocol	ONVIF
Intelligent Analytics	Video exception detection, region intrusion detection (human/vehicle classification), line crossing detection(human/vehicle classification), and abandoned / missing object detection, PIR
Smart Alarm	Motion detection, SD card error, SD card full
Linkage	Upload to memory card/eMMC/FTP, notify surveillance center, audible warning, trigger recording, trigger capture, send email
General function	Watermark, video mask, heartbeat, corridor pattern
Security	Video encryption, firmware encryption, HTTPs encryption, configuration encryption, illegal login lock, IP address filtering, 802.1x authentication, basic and digest authentication for HTTP
General	
Power	Power Consumption: < 5W Lower Power Mode:< 3.5 W (4 G working) Power Supply: 12 VDC ± 25% * for debugging only 60 W ±2 W Solar panels
Startup and Operating Conditions	-20°C to 50 °C (-4 °F to 122 °F). Humidity 95% or less (non-condensing)
Gross Weight	Approx. 16.9KG (without LFP battery); Approx. 20.65 KG (with LFP battery)
Battery	
Batter Type	LFP battery (lithium iron phosphate battery)
Capacity	23Ah
Battery Voltage	12.8V
Operating Temperature	Charging: -20 °C to 45 °C (-4 °F to 113 °F) ; Discharging: -20 °C to 60 °C (-4 °F to 140 °F)
Battery Life	More than 2000 cycles
Protection	
Protection	Camera: IP67 Wind Resistance 12 level
Certificate	CE, FCC, Complies with Directive EU RoHS, WEEE(2012/19/EU) , directive 94/62/EC and REACH(EC1907/2006) Li-Battery: UN38.3, CE, FCC 4G Communication: SRRC/CCC, GCF, CE/UKCA, PTCRB, FCC, IC, Anatel, IFETEL, KC, NCC, JATE/TELEC, RCM, FAC, NBTC, IMDA, ICASA,etc.

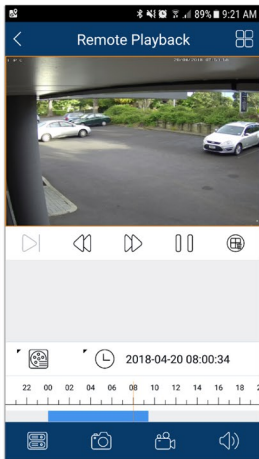
TVT-4GCAM

Dimensions

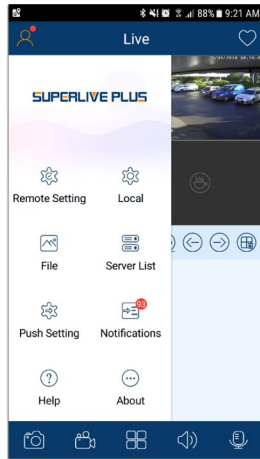


Smartphone App SuperCam Plus

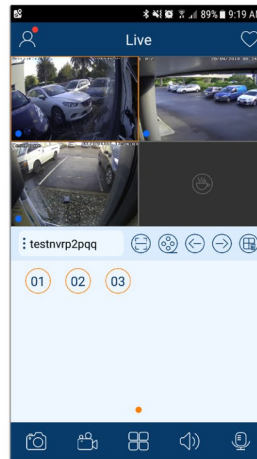
Search/Playback



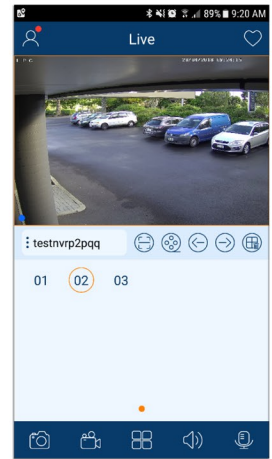
General Settings



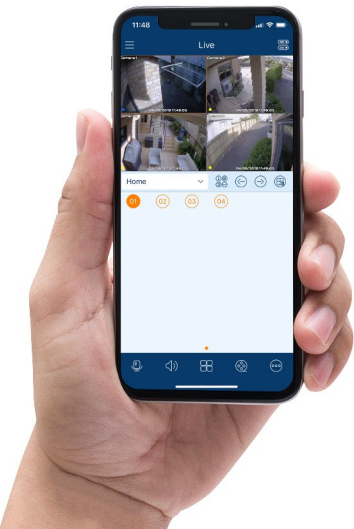
Select Camera



Single Camera View



SuperCam Plus



Proudly Supplied by Arrowhead Alarm Products
1A Emirali Road, Silverdale, 0932, Auckland, New Zealand
www.aap.co.nz